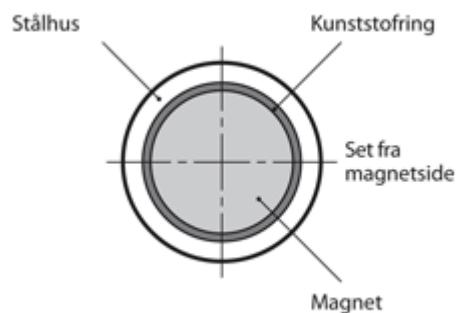
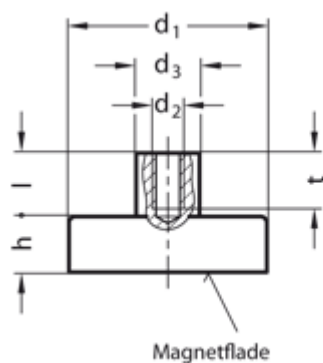


Article number: 201220391B

Description: E+G Magnet - female thread GN 50.2-HF-13-M3
HF hard ferrite, 200°C, 10N

Measures



d1 = 13 ±0,1

d2 = M3x7

d3 = 6 ±0,1

h = 4,5 +0,2/-0,1

Holding force N = 10

Material = HF Hård ferrit - 200° C

t = 5